

MarStand | Measuring tables, measuring tripods, radial run-out gages

MarStand measuring stands, measuring tables and radial run-out gages offer high stability, the basis for precise measuring results. They offer the necessary support for your dial indicators, dial comparators, dial test indicator measuring devices and measuring probes.



Marameter 844 KM

Measuring Stand

FEATURES

Measuring stand with practical equipment:

- High measuring column with large adjustment range
- Stop ring for measuring height, ideal when changing probes
- Large stroke for probe lowering
- Depth stop for stroke limitation
- Large measuring table (Ø 120 mm) with dust grooves and 4 threaded holes for the individual mounting of a prismatic stop 844 KMp
- Adjustment element for device holder 844 Kg / 844 Kga / 844 Kgz with shaft Ø 10 mm
- Additional mounting Ø 8 mm for optional dial gage as measuring depth indicator.



Application:

Ideal for production testing with 844 K.. inside measuring probes without time-consuming reversal point search by oscillation

TECHNICAL DATA

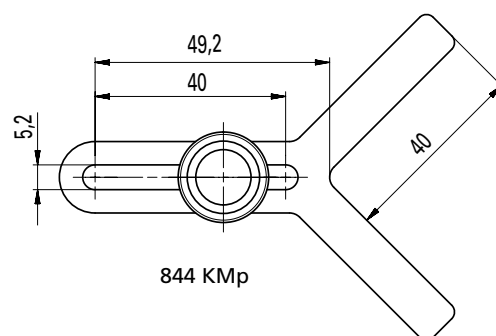
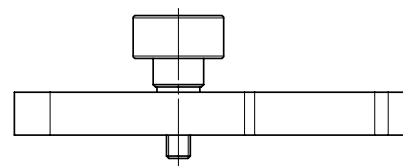
Order no.	Throat depth	Stroke	max. object height	Table diameter	Type
4473420	mm 90	mm 50	mm approx. 150 mm	120	844 KM

ACCESSORIES

Order no.	Description	Type
4473425	Floating holder for measuring stand 844 KM	844 KM _s
4473426	Prismatic stop incl. knurled clamping screw for measuring table 844 KM	844 KM _p



844 KM_s



844 KM_p